

### Introduction

FastCAT IO is the head of rack system designed for mounting on a standard DIN-Rail with proprietary MTBus. The module is an EtherCAT slave which converts the passing telegram from EtherCAT to local bus MTBus; it can manage up to 16 I/O modules. The rotary switch allows to assign an ID to the coupler on the EtherCAT bus.

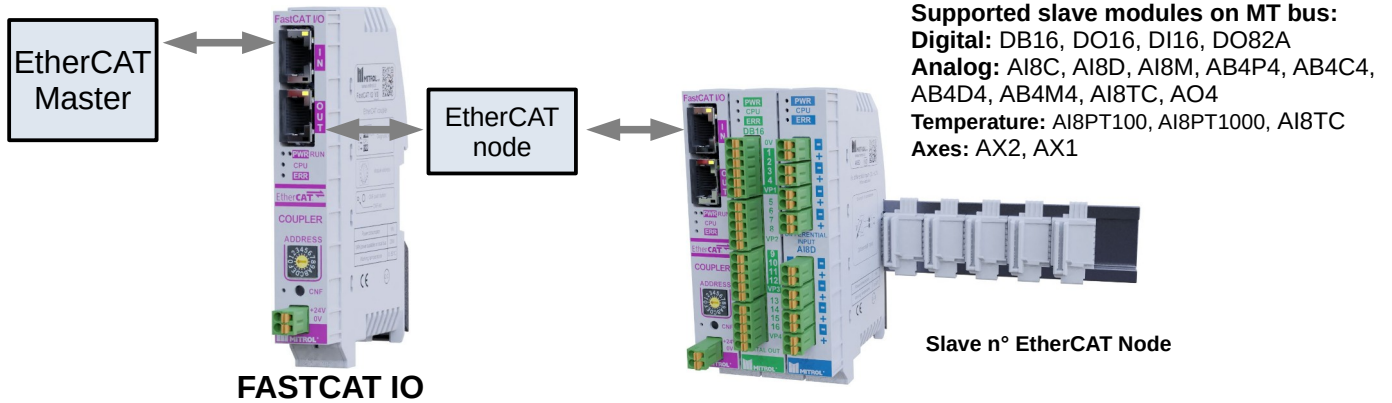
The network is connected via the two RJ45 EtherCAT interface.



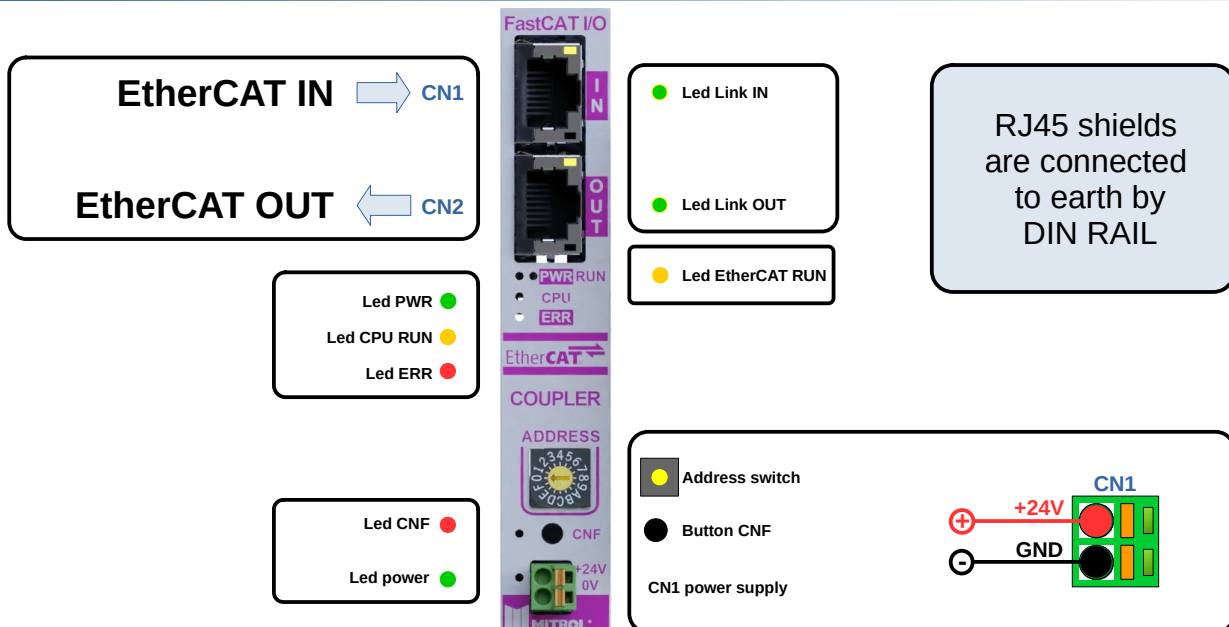
### Hardware Specification

Feature	
Supply voltage	24Vdc typ (range 18..36V)
Fieldbus	EtherCAT
Addressing on fieldbus	Rotary switch
Local bus MTBus rate	Up to 10MHz
Data transfer medium / rate	EtherCAT cable min. Cat 5 shielded / 100Mbit
Distance between stations	Max. 100m
Bus interface	2 x RJ45
Electrical	
Electrical Isolation	1000Vrms
Power consumption Coupler	2W
Power consumption with 16 I/O modules	20W
Interface	Proprietary MTBus
Stripping length	8-9mm
Specification	EN 61131-2
Diagnostic leds	Power (green) CPU run (yellow) Error (red) EtherCAT run (yellow) Link IN (green) Link OUT (green) CNF (red) 24V (green)
Mechanical	
Dimensions [W x H x D]	19x120x93mm
Installation	On 35mm DIN-Rail
Enviroment	
Operating/storage temperature	0..55°C / -20..+85°C
Relative humidity	Max 95% without condensation
Degree of protection	IP20

### Application



### Pin Assignments



### Dimensions (Units: mm)

