

Introduction

DO82A is a digital output module with 8 isolated outputs designed for standard DIN rail mounting with proprietary MTBus.

Each OUTx output can provide up to 2A with different VPx power for each connector.

The red LEDs indicate the status of the output.

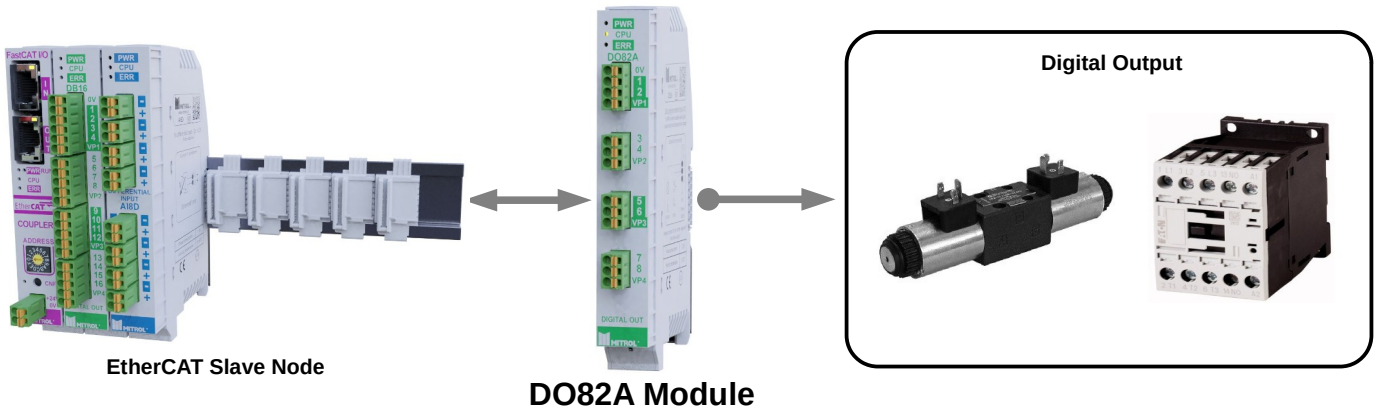
The module indicates its status via three diagnostic LEDs.



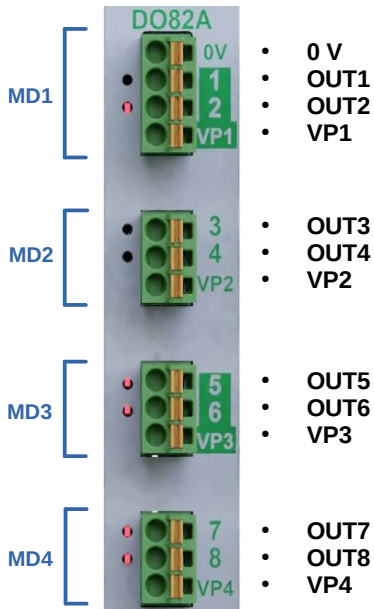
Hardware Specification

Digital Output	
Channels	8
Supply voltage	24Vdc typ (range 18..36V)
Output current for every output	2A
Load type	Ohmic, inductive and lamp
Output protection	Shortcircuit and overload
Switching time	<1ms
Electrical	
Electrical Isolation	2500Vrms
Power consumption	0,25W
Interface	Proprietary MTBus
Stripping length	8-9mm
Specification	EN 61131-2
Diagnostic leds	Power (green); CPU (yellow); Error (red)
Mechanical	
Dimensions [W x H x D]	19x120x93mm
Installation	On 35mm DIN-Rail
Enviroment	
Operating/storage temperature	0..55°C / -20..+85°C
Relative humidity	Max 95% without condensation
Degree of protection	IP20

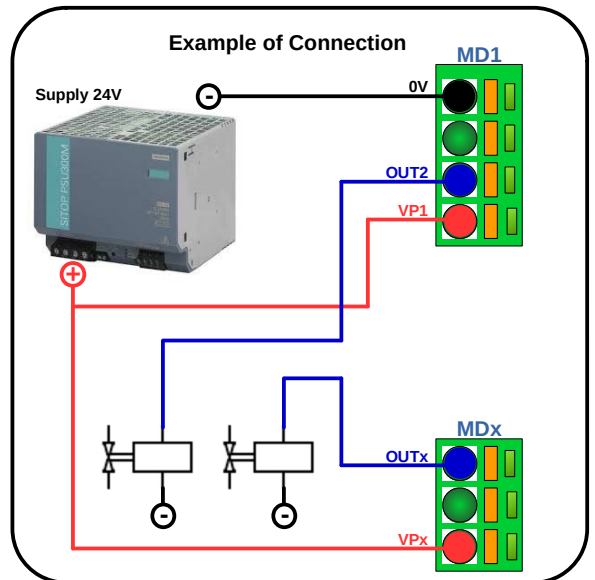
Application



Pin Assignments



Wire Connections



Dimensions (Units: mm)

