

Introduction

AB4P4 is an analog module with 4 inputs and 4 outputs designed for standard DIN rail mounting with proprietary MTBus. Each input can read potentiometric transducers powered by the module, the analog output range is -10..+10V. The module indicates its status via four diagnostic LEDs.

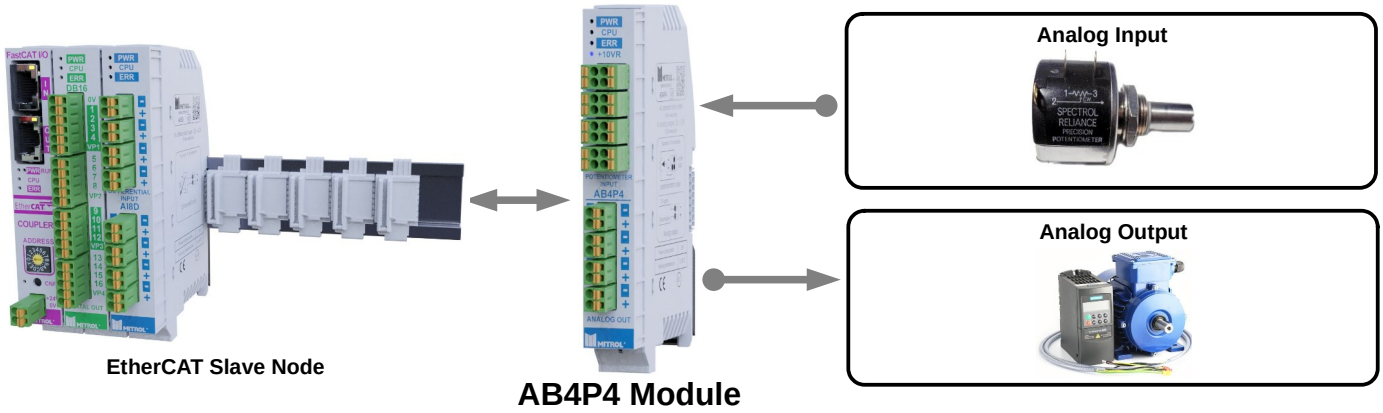


Hardware Specification

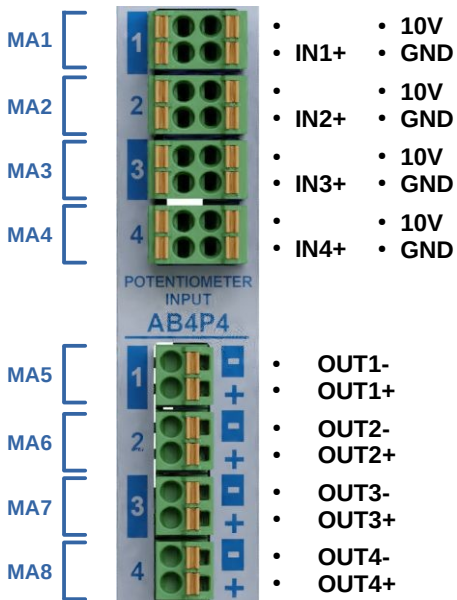
| Analog Input | |
|---------------------------|-----------------------------------|
| Channels | 4 |
| Input type | Potentiometer |
| Input range | 0..10V |
| Voltage reference (+10VR) | 10V with short circuit protection |
| Resolution | 16bit |
| R potentiometer | >1Kohm for each channels |
| Conversion time | 1ms for all inputs |
| Digital filter | Configurable |
| Analog output | |
| Channels | 4 |
| Analog range | -10..+10V |
| Resolution | 12bit |
| Load for channel | Max 5mA |

| Electrical | |
|-------------------------------|---|
| Electrical isolation | 500Vrms |
| Power consumption | 2W |
| Interface | Proprietary MTBus |
| Stripping length | 8-9mm |
| Specification | EN 61131-2 |
| Diagnostic leds | Power (green); CPU (yellow); Error (red); 10V (green) |
| Mechanical | |
| Dimensions [W x H x D] | 19x120x93mm |
| Installation | On 35mm DIN-Rail |
| Enviroment | |
| Operating/storage temperature | 0..55°C / -20..+85°C |
| Relativehumidity | Max 95% without condensation |
| Degree of protection | IP20 |

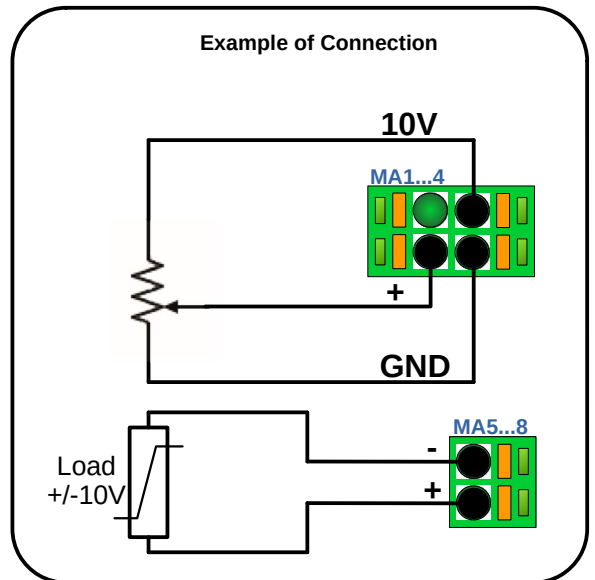
Application



Pin Assignments



Wire Connections



Dimensions (Units: mm)

