

## Introduction

AI8x is a module with 8 analog inputs designed for standard DIN rail mounting with proprietary MTBus.

The inputs can be of the differential type with a range of -10..+10V or of the current type with a range of 0..20mA.

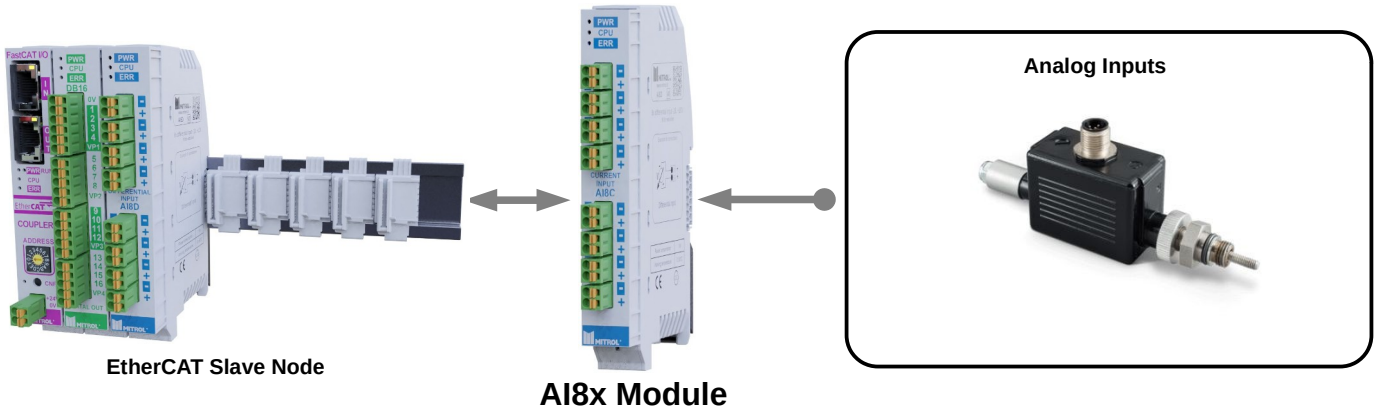
The module indicates its status via three diagnostic LEDs.



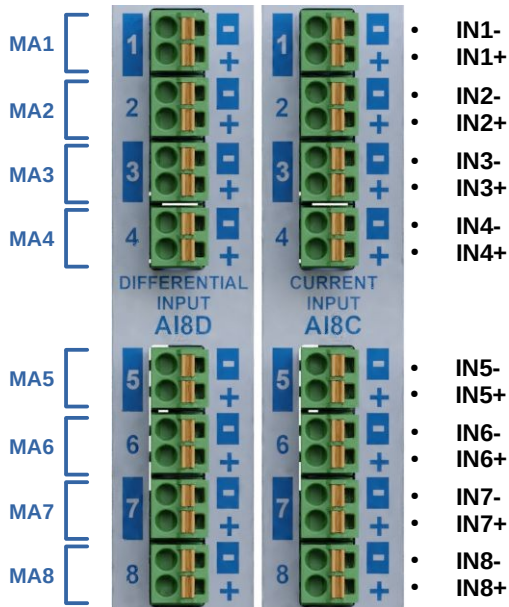
## Hardware Specification

Model	AI8D	AI8C
<b>Analog Input</b>		
Channels	8	
Analog type	Differential	Current
Analog range	-10..+10V	0..20mA / 4..20mA
Resolution	16bit	
Conversion time	1ms for all inputs	
Digital filter	Configurable	
Common mode range	±20V (referred to internal GND)	
<b>Electrical</b>		
Electrical isolation	500Vrms	
Power consumption	1W	
Interface	Proprietary MTBus	
Stripping length	8-9mm	
Specification	EN 61131-2	
Diagnostic leds	Power (green); CPU (yellow); Error (red)	
<b>Mechanical</b>		
Dimensions [W x H x D]	19x120x93mm	
Installation	On 35mm DIN-Rail	
<b>Environment</b>		
Operating/storage temperature	0..55°C / -20..+85°C	
Relative humidity	Max 95% without condensation	
Degree of protection	IP20	

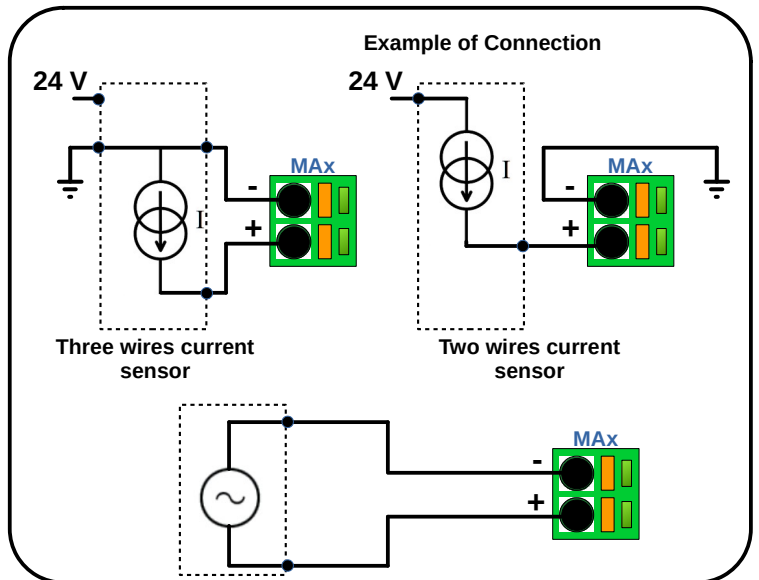
### Application



### Pin Assignments



### Wire Connections



### Dimensions (Units: mm)

