

Introduction

AI8PTx is an analog input module with 8 inputs designed for mounting on a standard DIN-Rail with proprietary MTBus.

Each channel can be input for sensor PT100 or PT1000.

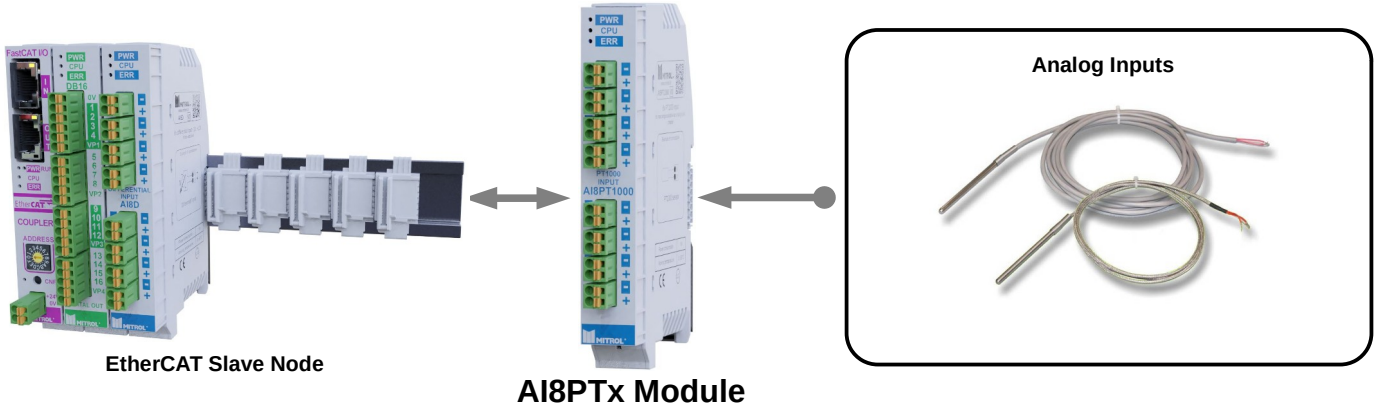
The module indicates its state via three diagnostic leds.



Hardware Specification

Model	AI8PT100	AI8PT1000
Analog Input		
Channels	8	
Sensor type	PT100	PT1000
Resolution	16bit	
Temperature range	-40..+160°C	
Temperature resolution	<0,05°C	
Conversion time	1ms for all inputs	
Digital filter	Configurable	
Electrical		
Electrical Isolation	500Vrms	
Power Consumption	1W	
Interface	Proprietary MTBus	
Stripping Length	8-9mm	
Specification	EN 61131-2	
Diagnostic Leds	Power (green); CPU (yellow); Error (red)	
Mechanical		
Dimensions [W x H x D]	19x120x93mm	
Installation	On 35mm DIN-Rail	
Environment		
Operating/Storage Temperature	0..55°C / -20..+85°C	
Relative Humidity	Max 95% without condensation	
Degree of Protection	IP20	

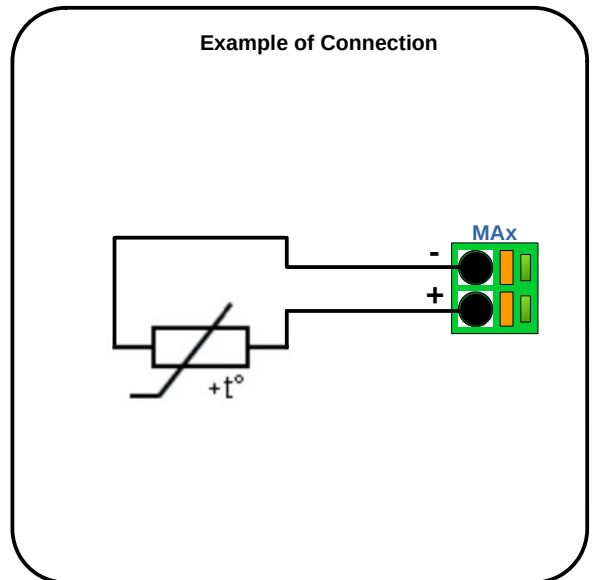
Application



Pin Assignments

Label	Terminal 1	Terminal 2	Terminal 3	Terminal 4	Terminal 5	Terminal 6	Terminal 7	Terminal 8	Assignment	
MA1	1	+	-		MA5	5	+	-	IN1-	
	2	+	-			6	+	-	IN1+	
	3	+	-			7	+	-	IN2-	
	4	+	-			8	+	-	IN2+	
MA2					MA6				IN3-	
										IN3+
										IN4-
										IN4+
MA3					MA7				IN5-	
										IN5+
										IN6-
										IN6+
MA4					MA8				IN7-	
										IN7+
										IN8-
										IN8+

Wire Connections



Dimensions (Units: mm)

