

Introduction

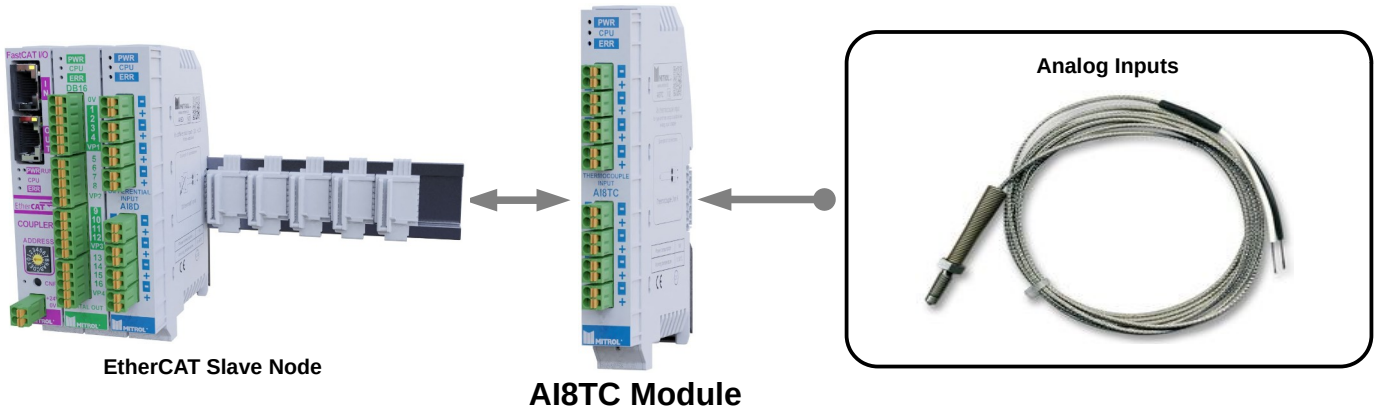
AI8TC is an 8-channel analog input module designed for standard DIN rail mounting with proprietary MTBus. Each channel can be connected to a J or K type thermocouple. The module indicates its status via three diagnostic LEDs.



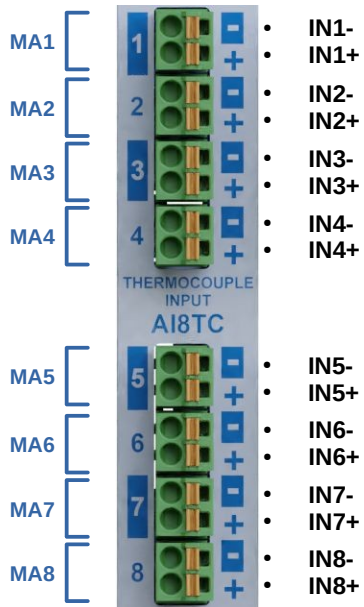
Hardware Specification

Analog Input	
Channels	8
Thermocouple type	J or K
Resolution	16bit
Temperature resolution	<0,05°C
Analog range	0..30mV
Conversion time	1ms for all inputs
Digital filter	Configurable
Electrical	
Electrical isolation	500Vrms
Power consumption	1W
Interface	Proprietary MTBus
Stripping length	8-9 mm
Specification	EN 61131-2
Diagnostic leds	Power (green); CPU (yellow); Error (red)
Mechanical	
Dimensions [W x H x D]	19x120x93mm
Installation	On 35 mm DIN-Rail
Enviroment	
Operating/storage temperature	0..55°C / -20..+85°C
Relative humidity	Max 95% without condensation
Degree of protection	IP20

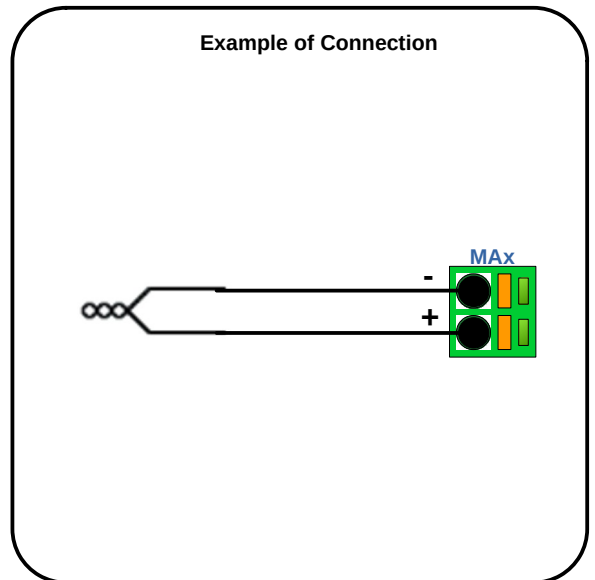
Application



Pin Assignments



Wire Connections



Dimensions (Units: mm)

