

Introduction

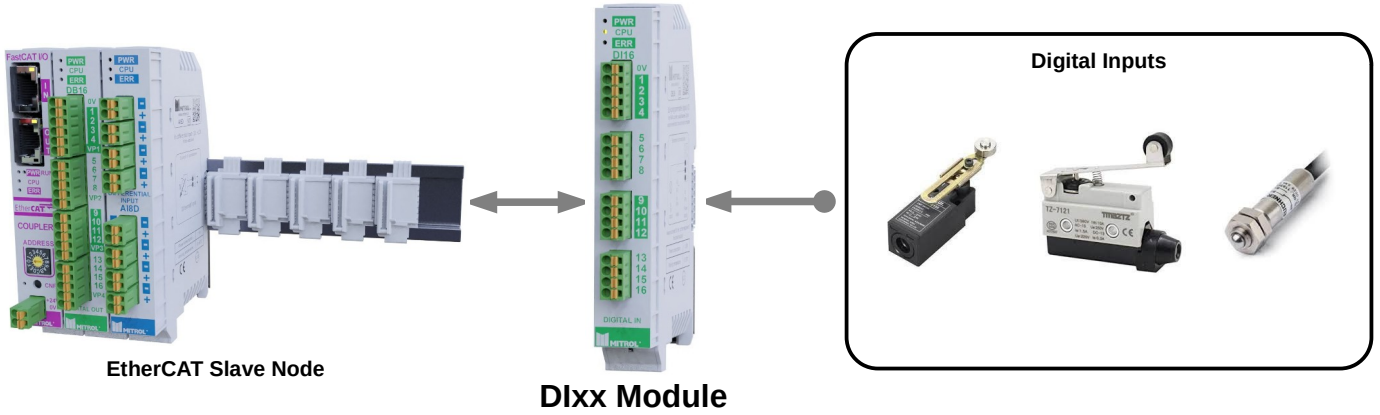
Dlxx is a digital input module with up to 16 isolated inputs designed for standard DIN rail mounting with proprietary MTBus. The red LEDs indicate the status of the inputs. The module indicates its status via three diagnostic LEDs.



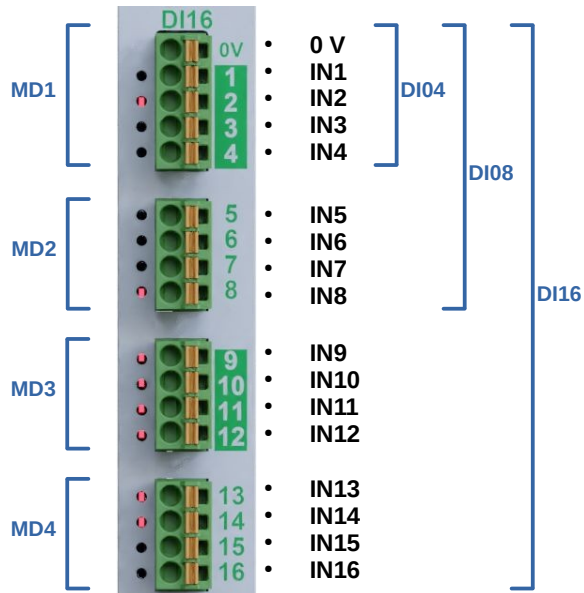
Hardware Specification

Model	DI04	DI08	DI16
Digital Input			
Channels	4	8	16
OFF voltage level	<5V		
ON voltage level	>15V		
Maximum input voltage	36V		
Input filter	Typical 1ms		
Input current	4mA / Channel @24V		
Electrical			
Electrical isolation	2500Vrms		
Power consumption	0,25W		
Interface	Proprietary MTBus		
Stripping length	8-9mm		
Specification	EN 61131-2		
Diagnostic leds	Power (green); CPU (yellow); Error (red)		
Mechanical			
Dimensions [W x H x D]	19x120x93mm		
Installation	On 35mm DIN-Rail		
Enviroment			
Operating/storage temperature	0..55°C / -20..+85°C		
Relative humidity	Max 95% without condensation		
Degree of protection	IP20		

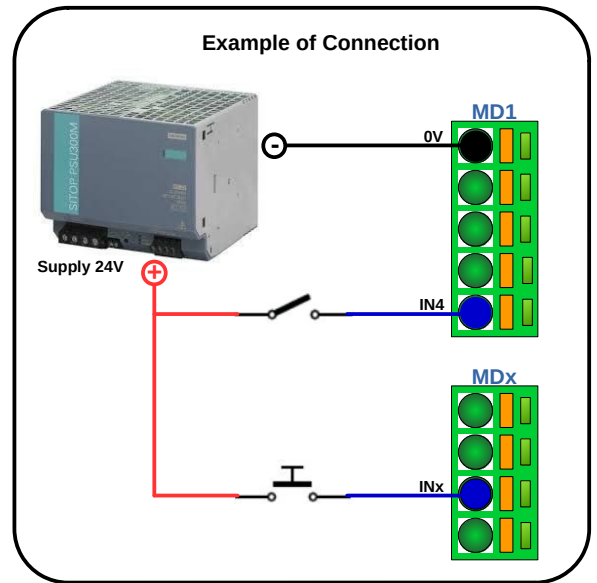
Application



Pin Assignments



Wire Connections



Dimensions (Units: mm)

