

Introduction

DOxx is a digital output module with up to 16 isolated outputs designed for standard DIN rail mounting with proprietary MTBus.

For each MDx connector the maximum total current of the four outputs is 2A.

The VPx power supply can be different for each connector, the red LEDs indicate the status of the output.

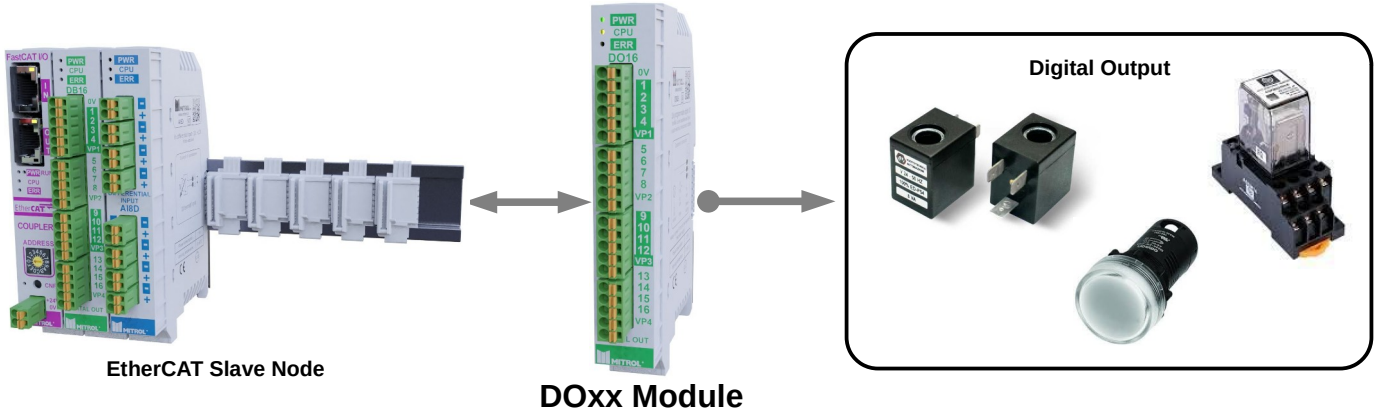
The module indicates its status via three diagnostic LEDs.



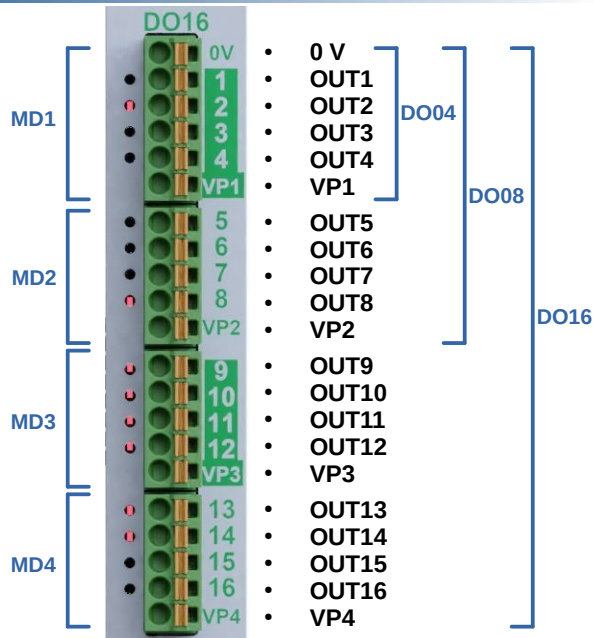
Hardware Specification

Model	DO04	DO08	DO16
Digital Output			
Channels	4	8	16
Supply voltage VPx	24Vdc typ (range 18..36V)		
Output current for connector MDx	2A		
Load type	Ohmic, inductive and lamp		
Output protection	Shortcircuit and overload		
Switching time	<1ms		
Electrical			
Electrical isolation	2500Vrms		
Power consumption	0,25W		
Interface	Proprietary MTBus		
Stripping length	8-9mm		
Specification	EN 61131-2		
Diagnostic leds	Power (green); CPU (yellow); Error (red)		
Mechanical			
Dimensions [W x H x D]	19x120x93mm		
Installation	On 35mm DIN-Rail		
Enviroment			
Operating/storage temperature	0..55°C / -20..+85°C		
Relative humidity	Max 95% without condensation		
Degree of protection	IP20		

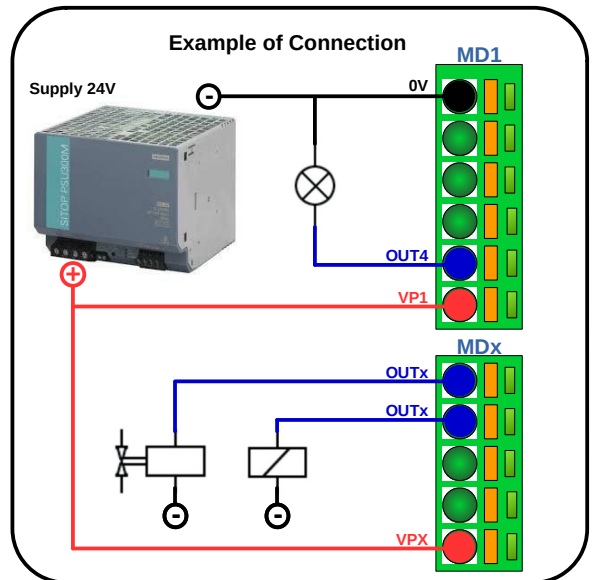
Application



Pin Assignments



Wire Connections



Dimensions (Units: mm)

