

### Introduction

DBxx is a digital module with up to 16 isolated input/output channels designed for mounting on a standard DIN-Rail with proprietary MTBus.

For every connector MDx the channels can be configured all as input or output by software; when configured as output the maximum total current of the four output is 2A, the power supply VPx can be different for every connectors.

The red led indicate the state of output.

The module indicates its state via three diagnostic leds.



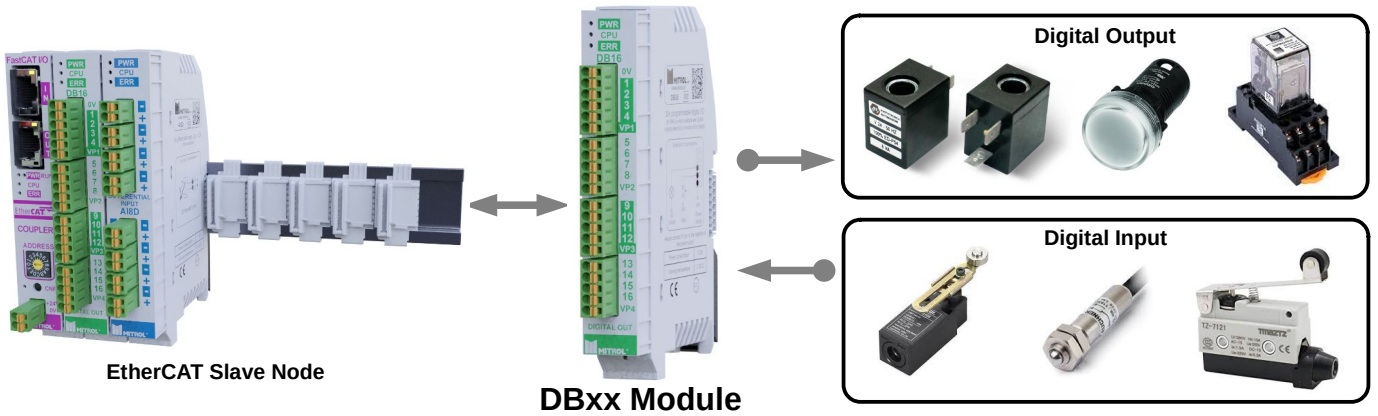
### Hardware Specification

Model	DB04	DB08	DB16
<b>Digital Output</b>			
Channels	4	8	16
Supply voltage VPx	24Vdc typ. (range 18..36V)		
Output current for connector MDx	2A		
Load type	Ohmic, inductive and lamp		
Output protection	Shortcircuit and overload		
Switching time	<1ms		
<b>Digital Input</b>			
Channels	4	8	16
OFF voltage level	<5V		
ON voltage level	>15V		
Maximum input voltage	36V		
Input filter	Typical 1ms		
Input current	4mA / Channel @24V		

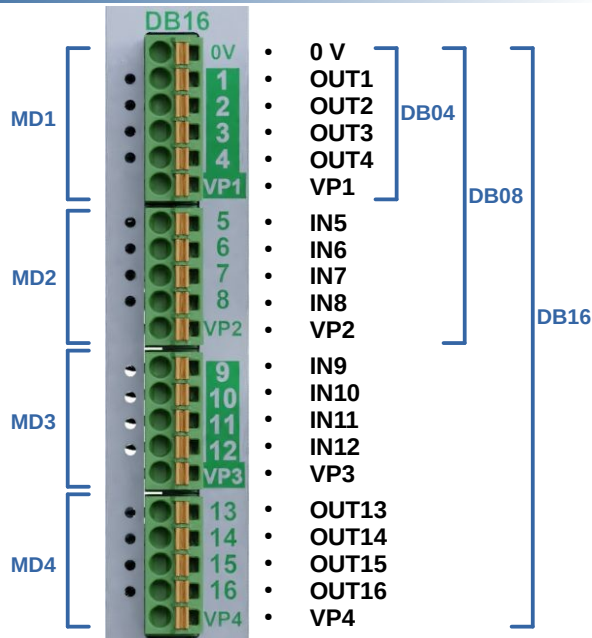


Electrical	
Electrical isolation	2500Vrms
Power consumption	0,25W
Interface	Proprietary MTBus
Stripping length	8-9mm
Specification	EN 61131-2
Diagnostic leds	Power (green); CPU (yellow); Error (red)
Mechanical	
Dimensions [W x H x D]	19x120x93mm
Installation	On 35 mm DIN-Rail
Enviroment	
Operating/storage temperature	0..55°C / -20..+85°C
Relative humidity	Max 95% without condensation
Degree of protection	IP20

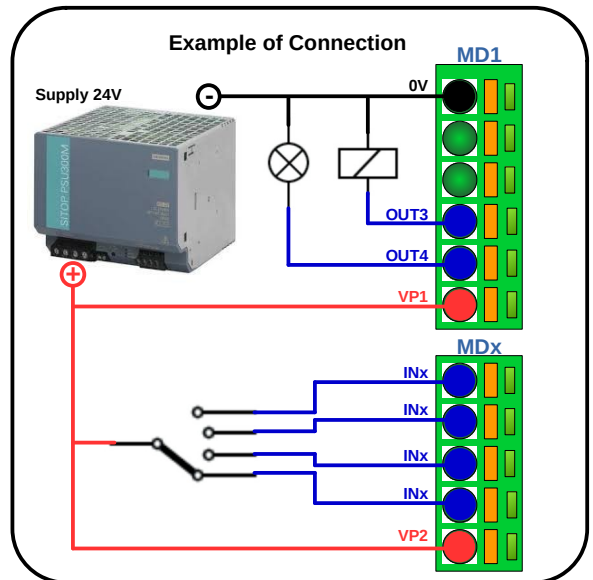
### Application



### Pin Assignments



### Wire Connections



### Dimensions (Units: mm)

