

Introduction

XDI16 is a module that belongs to the family of fast modules, X-family IO, produced by Mitrol. The command activation time is only 2 PLC cycles.

The module, designed for mounting on a standard DIN rail, has 16 opto-isolated digital inputs.

The red LEDs indicate the status of the inputs, the module indicates its status via three diagnostic LEDs..

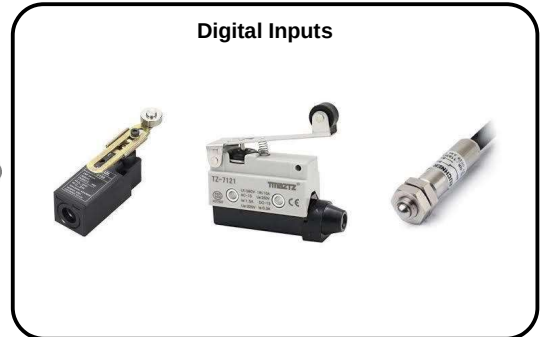
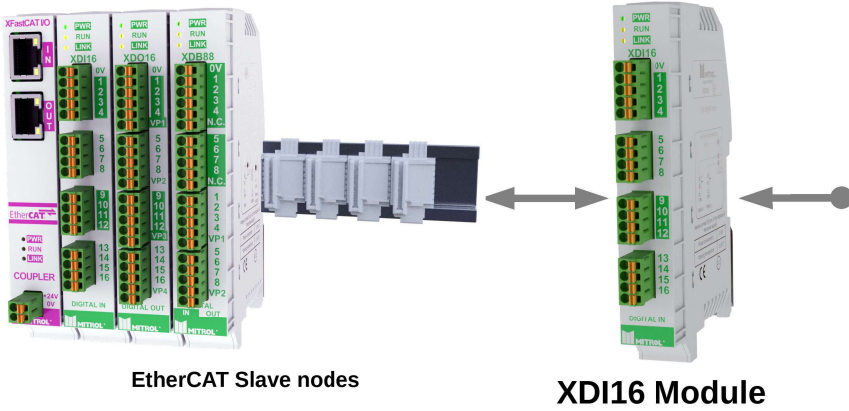



Hardware Specification

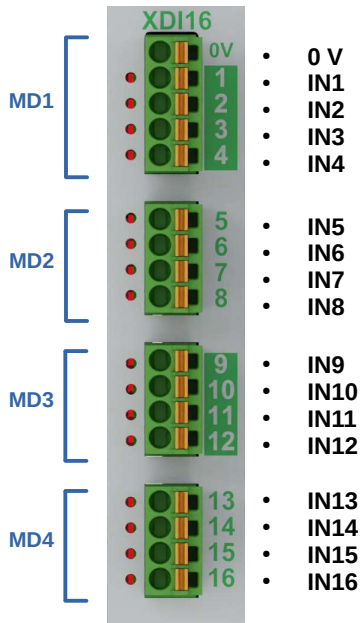
Model	XDI16
Digital Input	
Channels	16
OFF voltage level	<5V
ON voltage level	>15V
Maximum input voltage	36V
Input filter	Typical 1ms
Input current	4mA / Channel @24V
Electrical	
Electrical isolation	2500Vrms
Power consumption	1W
Interface	Proprietary bus
Stripping length	8-9mm
Specification	EN 61131-2
Diagnostic leds	Power (green); RUN (yellow); LINK (yellow)
Mechanical	
Dimensions [W x H x D]	19x120x93mm
Installation	On 35mm DIN-Rail
Enviroment	
Operating/storage temperature	0..55°C / -20..+85°C
Relative humidity	Max 95% without condensation
Degree of protection	IP20



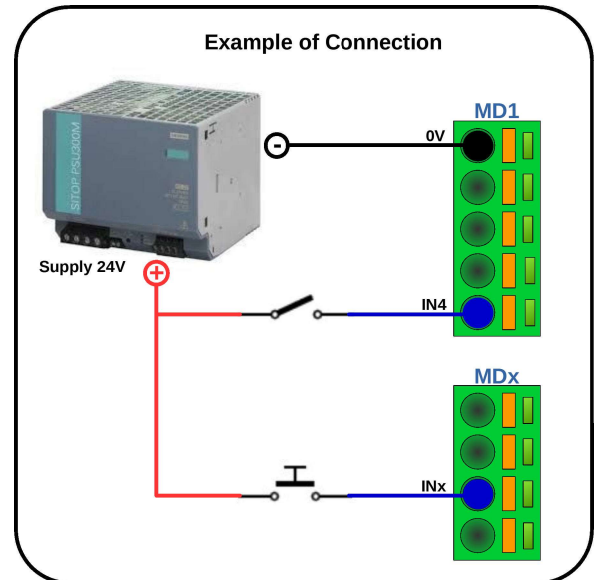
Application



Pin Assignments



Wire Connections



Dimensions (Units: mm)

