

Introduction

XDO16 is a module that belongs to the family of fast modules, X-family IO, produced by Mitrol. The command activation time is only 2 PLC cycles.

The module, designed for mounting on a standard DIN rail, has 16 opto-isolated digital outputs.

For each MDx connector the maximum total current of the four outputs is 2A.

The VPx power supply can be different for each connector, the red LEDs indicate the status of the output.

The module indicates its status via three diagnostic LEDs.

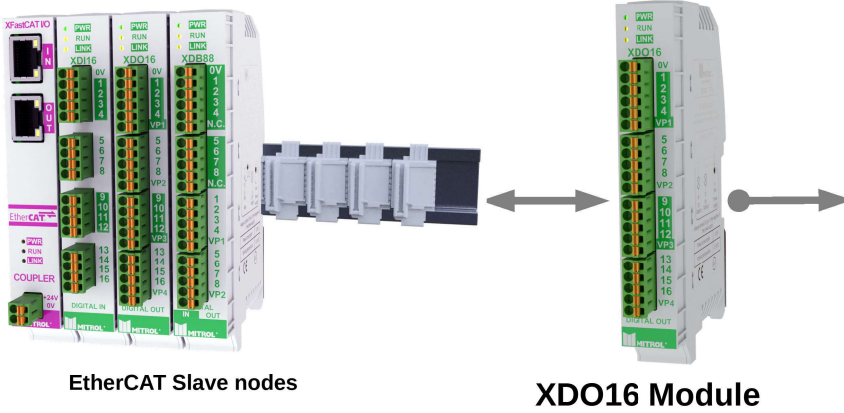



Hardware Specification

Model	XDO16
Digital Output	
Channels	16
Supply voltage VPx	24Vdc typ (range 18..36V)
Output current for connector MDx	2A
Load type	Ohmic, inductive and lamp
Output protection	Shortcircuit and overload
Switching time	<1ms
Electrical	
Electrical isolation	2500Vrms
Power consumption	1W
Interface	Proprietary bus
Stripping length	8-9mm
Specification	EN 61131-2
Diagnostic leds	Power (green); RUN (yellow); LINK (yellow)
Mechanical	
Dimensions [W x H x D]	19x120x93mm
Installation	On 35mm DIN-Rail
Enviroment	
Operating/storage temperature	0..55°C / -20..+85°C
Relative humidity	Max 95% without condensation
Degree of protection	IP20



Application



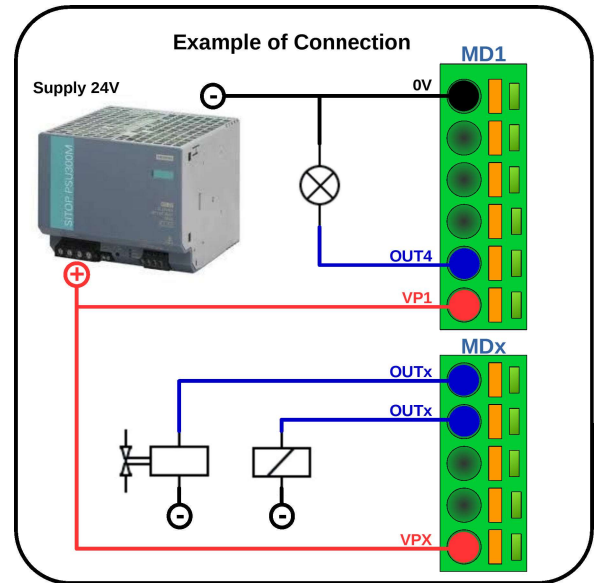
EtherCAT Slave nodes

XDO16 Module

Pin Assignments

MD	Pin	Assignment
MD1	0V	0 V
	1	OUT1
	2	OUT2
	3	OUT3
	4	OUT4
MD2	VP1	VP1
	5	OUT5
	6	OUT6
	7	OUT7
	8	OUT8
MD3	VP2	VP2
	9	OUT9
	10	OUT10
	11	OUT11
	12	OUT12
MD4	VP3	VP3
	13	OUT13
	14	OUT14
	15	OUT15
	16	OUT16
	VP4	VP4

Wire Connections



Dimensions (Units: mm)

