

Introduction

XDB88 is a module that belongs to the family of fast modules, X-family IO, produced by Mitrol. The command activation time is only 2 PLC cycles.

The module, designed for mounting on a standard DIN rail, has 8 opto-isolated digital inputs and 8 opto-isolated digital outputs.

For each output connector the maximum total current of the four outputs is 2A; the VPx power supply can be different for each connector. The red LEDs indicate the status of the input and output.

The module indicates its state via three diagnostic leds.




Hardware Specification

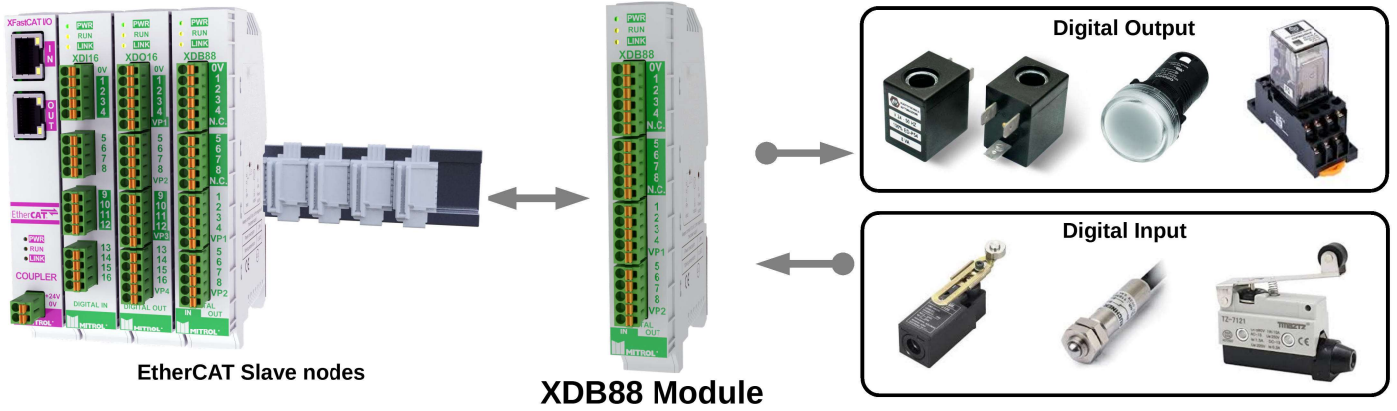
Digital Output	
Channels	8
Supply voltage VPx	24Vdc typ. (range 18..36V)
Output current for connector MDx	2A
Load type	Ohmic, inductive and lamp
Output protection	Shortcircuit and overload
Switching time	<1ms
Digital Input	
Channels	8
OFF voltage level	<5V
ON voltage level	>15V
Maximum input voltage	36V
Input filter	Typical 1ms
Input current	4mA / Channel @24V



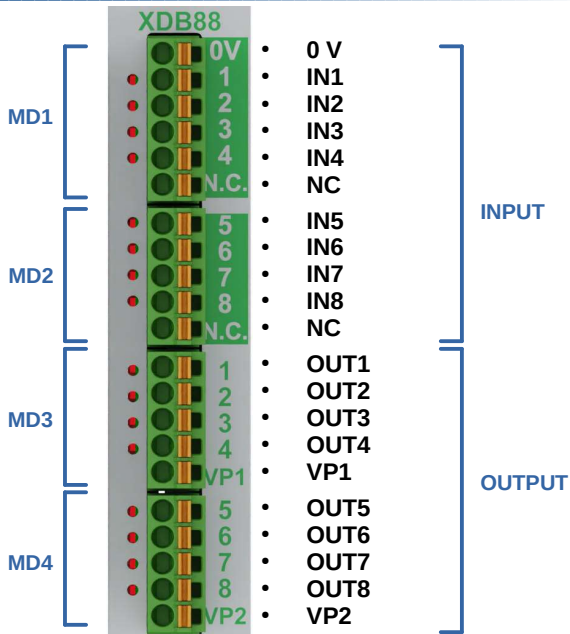
Electrical	
Electrical isolation	2500Vrms
Power consumption	1W
Interface	Proprietary bus
Stripping length	8-9mm
Specification	EN 61131-2
Diagnostic leds	Power (green); RUN (yellow); LINK (yellow)
Mechanical	
Dimensions [W x H x D]	19x120x93mm
Installation	On 35 mm DIN-Rail
Enviroment	
Operating/storage temperature	0..55°C / -20..+85°C
Relative humidity	Max 95% without condensation
Degree of protection	IP20



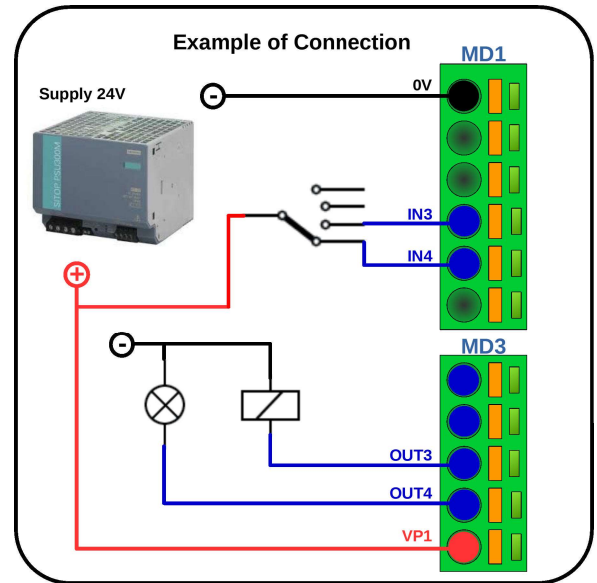
Application



Pin Assignments



Wire Connections



Dimensions (Units: mm)

